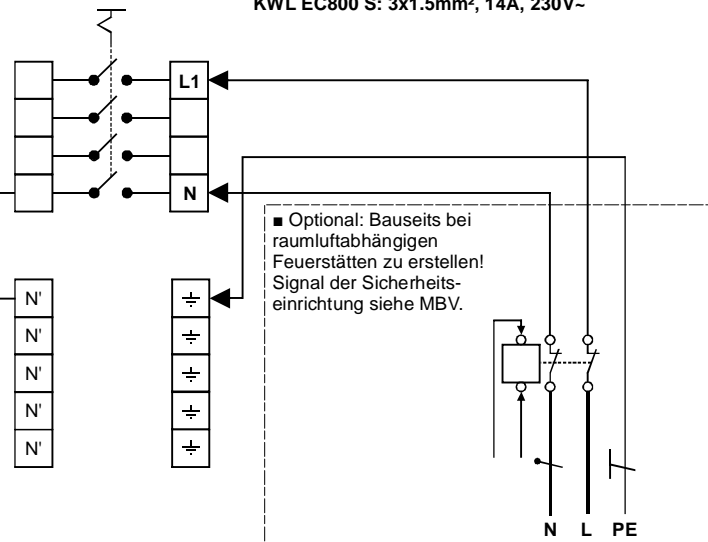
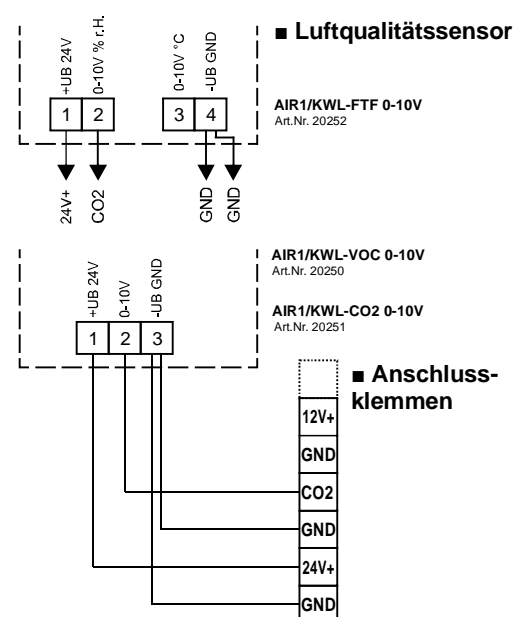
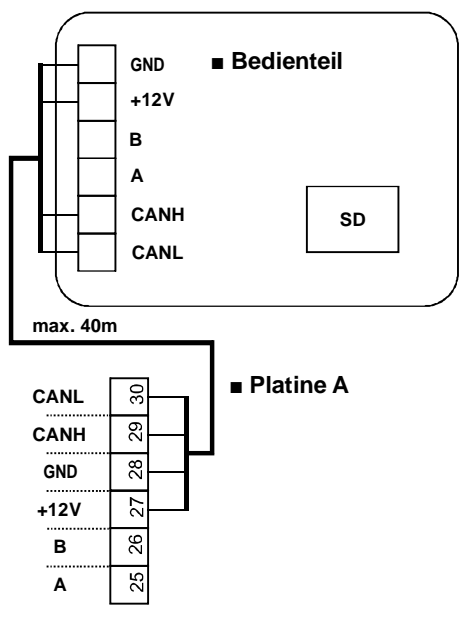
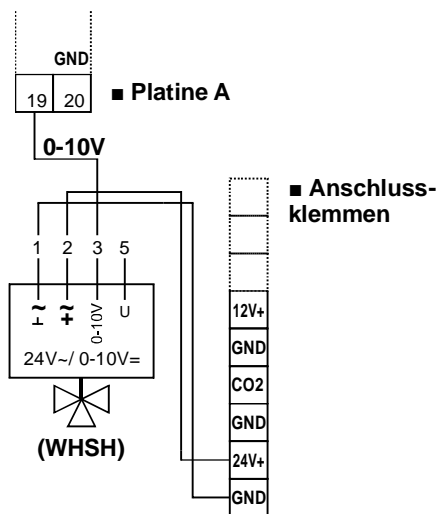


■ **Hauptschalter**

KWL EC700 D: 3x1.5mm<sup>2</sup>, 14.3A, 230V~  
KWL EC800 S: 3x1.5mm<sup>2</sup>, 14A, 230V~

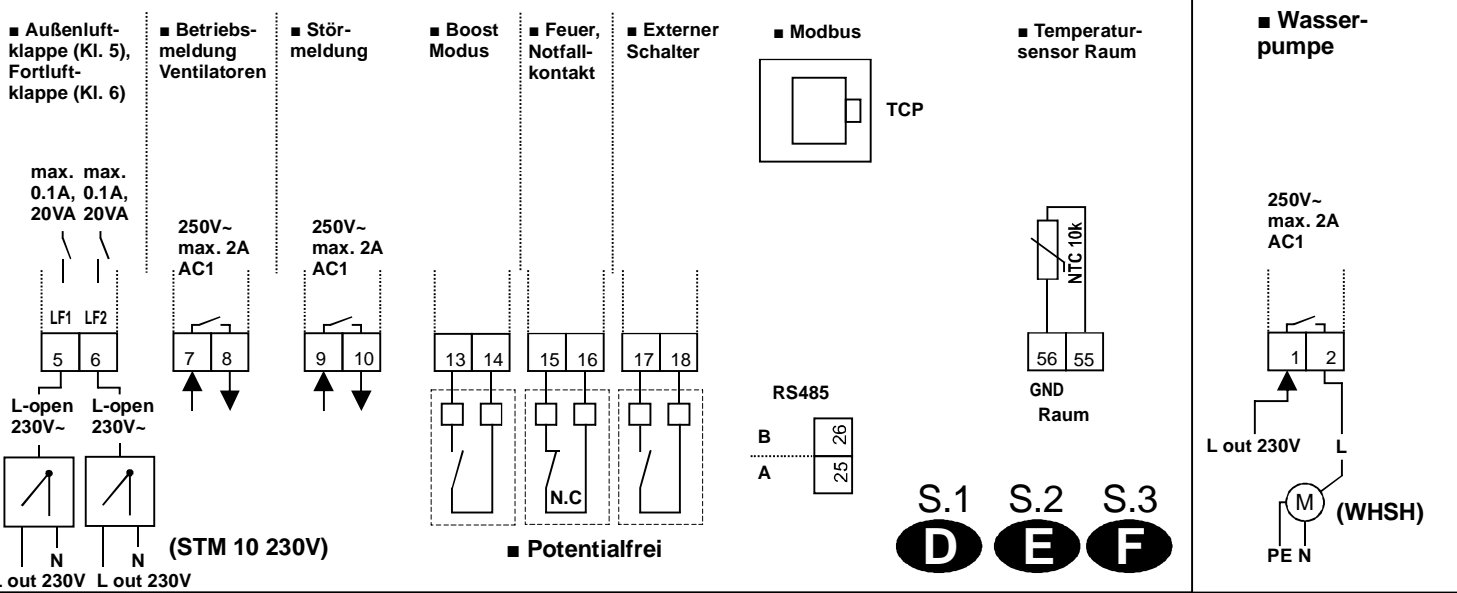
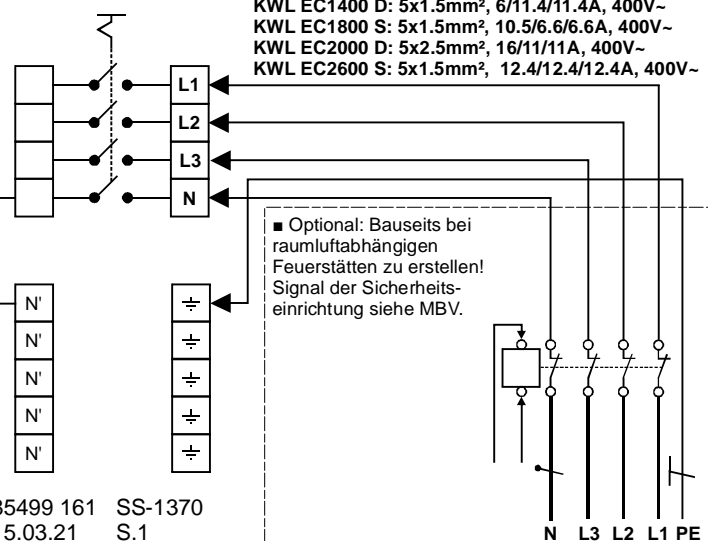


■ **Mischventil**



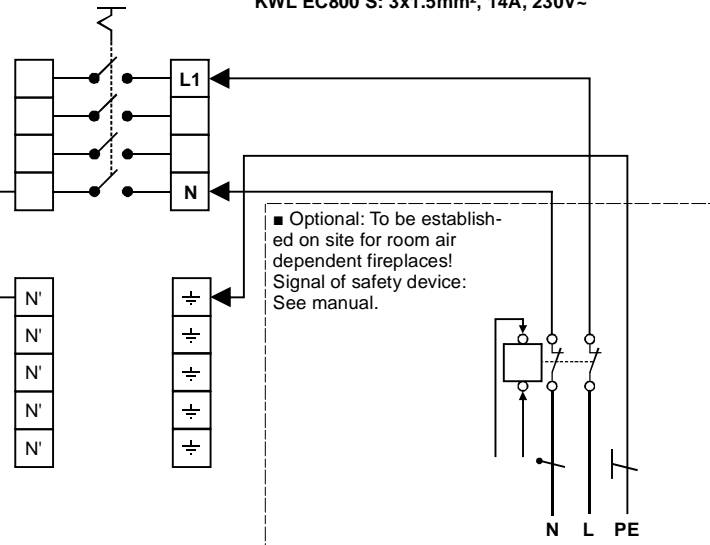
■ **Hauptschalter**

KWL EC1200 S: 5x1.5mm<sup>2</sup>, 5/12.1/12.1A, 400V~  
KWL EC1400 D: 5x1.5mm<sup>2</sup>, 6/11.4/11.4A, 400V~  
KWL EC1800 S: 5x1.5mm<sup>2</sup>, 10.5/6.6/6.6A, 400V~  
KWL EC2000 D: 5x2.5mm<sup>2</sup>, 16/11/11A, 400V~  
KWL EC2600 S: 5x1.5mm<sup>2</sup>, 12.4/12.4/12.4A, 400V~



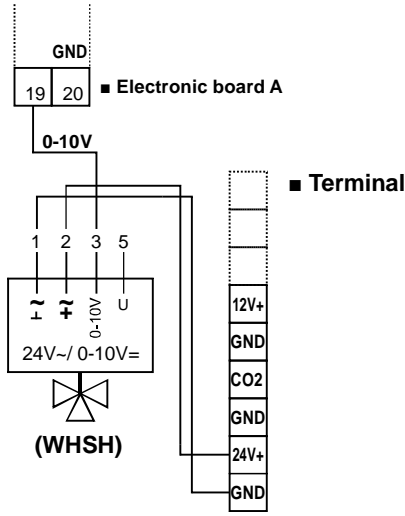
■ Main switch

KWL EC700 D: 3x1.5mm<sup>2</sup>, 14.3A, 230V~  
KWL EC800 S: 3x1.5mm<sup>2</sup>, 14A, 230V~

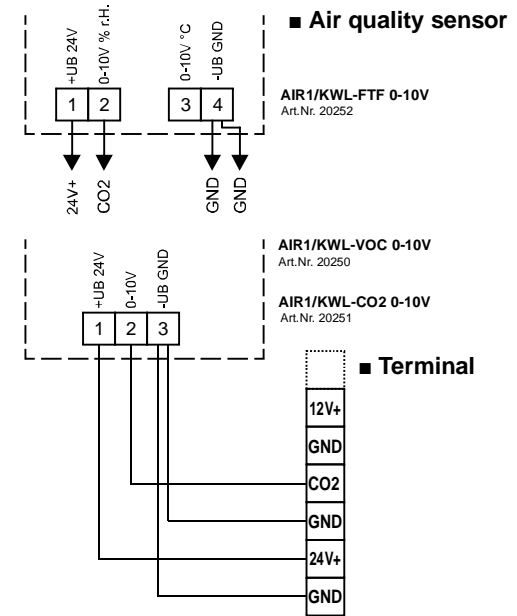
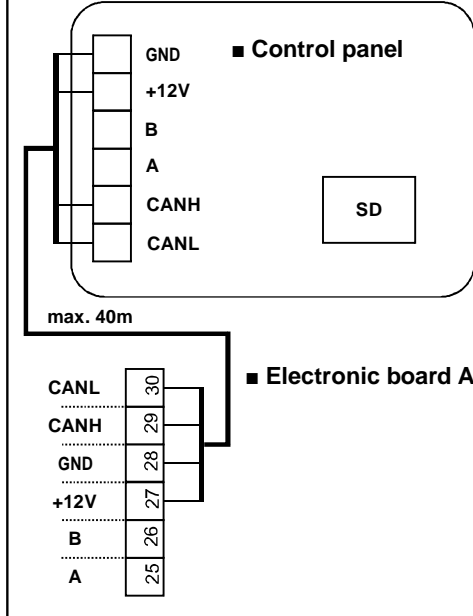


■ Optional: To be established on site for room air dependent fireplaces! Signal of safety device: See manual.

■ Mixing valve

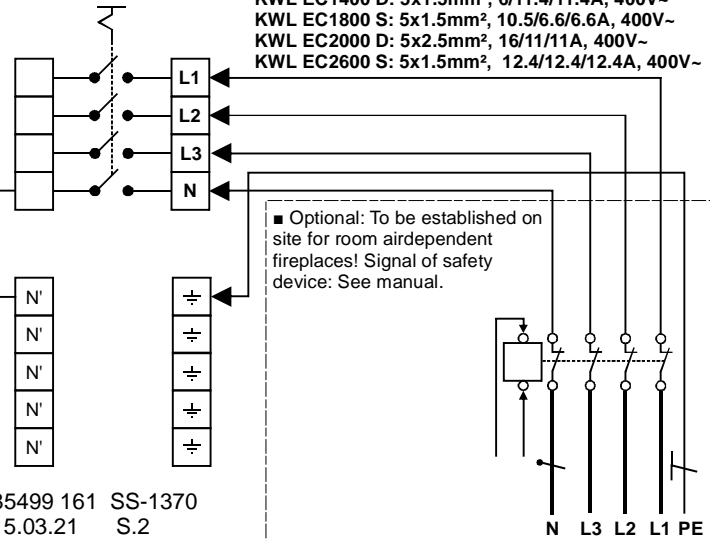


■ Terminal

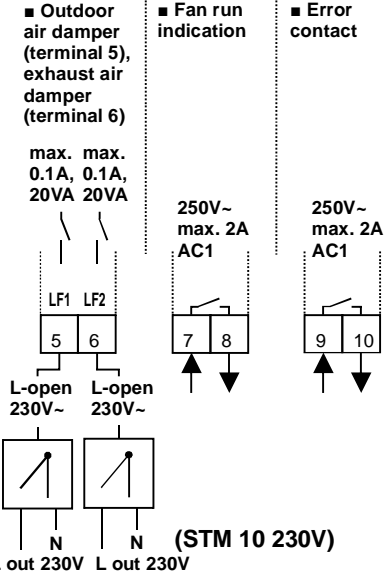


■ Main switch

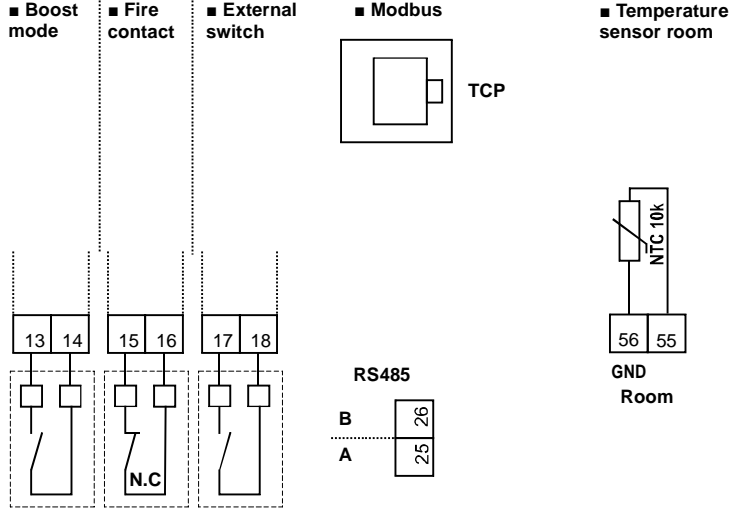
KWL EC1200 S: 5x1.5mm<sup>2</sup>, 5/12.1/12.1A, 400V~  
KWL EC1400 D: 5x1.5mm<sup>2</sup>, 6/11.4/11.4A, 400V~  
KWL EC1800 S: 5x1.5mm<sup>2</sup>, 10.5/6.6/6.6A, 400V~  
KWL EC2000 D: 5x2.5mm<sup>2</sup>, 16/11/11A, 400V~  
KWL EC2600 S: 5x1.5mm<sup>2</sup>, 12.4/12.4/12.4A, 400V~



■ Optional: To be established on site for room air dependent fireplaces! Signal of safety device: See manual.

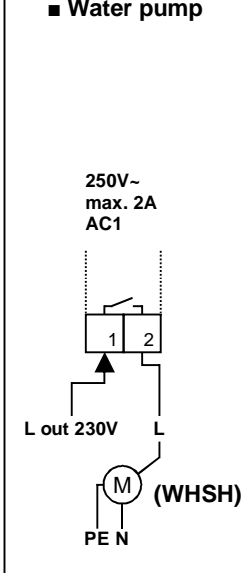


■ Electronic board A

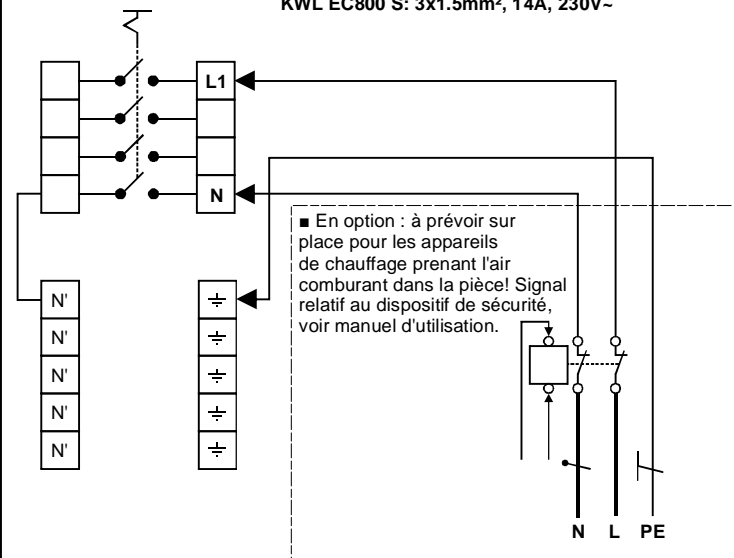


■ Potential free

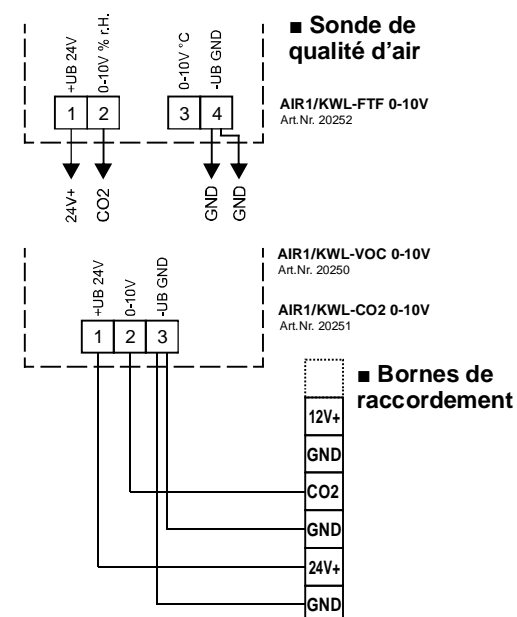
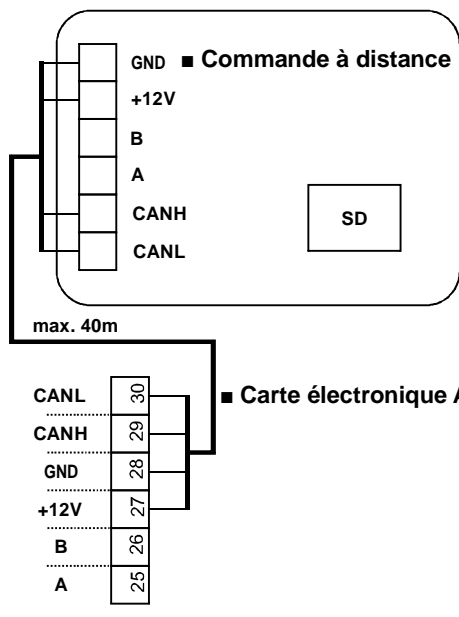
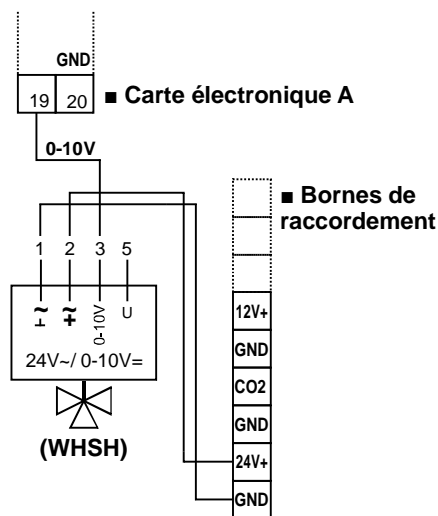
■ Electronic board B



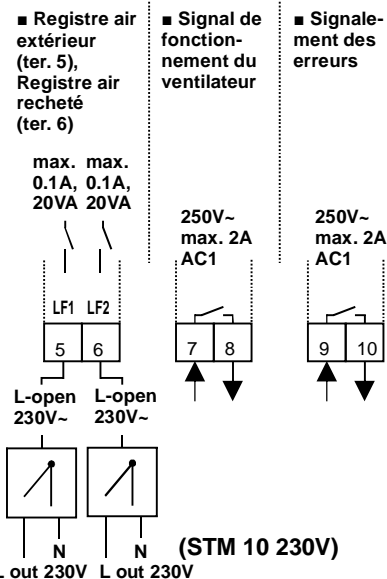
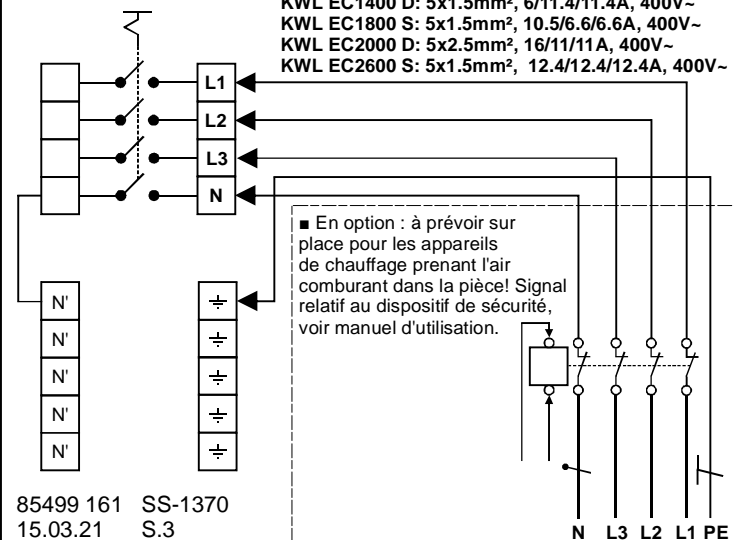
■ **Interrupteur principal** KWL EC700 D: 3x1.5mm<sup>2</sup>, 14.3A, 230V~  
KWL EC800 S: 3x1.5mm<sup>2</sup>, 14A, 230V~



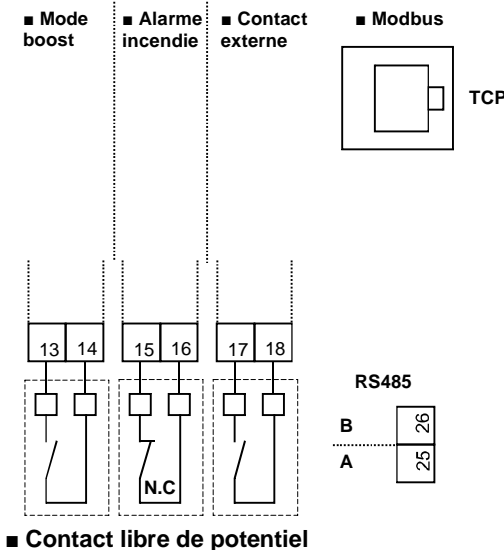
■ **Vanne de mélange**



■ **Interrupteur principal** KWL EC1200 S: 5x1.5mm<sup>2</sup>, 5/12.1/12.1A, 400V~  
KWL EC1400 D: 5x1.5mm<sup>2</sup>, 6/11.4/11.4A, 400V~  
KWL EC1800 S: 5x1.5mm<sup>2</sup>, 10.5/6.6/6.6A, 400V~  
KWL EC2000 D: 5x2.5mm<sup>2</sup>, 16/11/11A, 400V~  
KWL EC2600 S: 5x1.5mm<sup>2</sup>, 12.4/12.4/12.4A, 400V~



■ **Carte électronique A**



■ **Carte électronique B**

